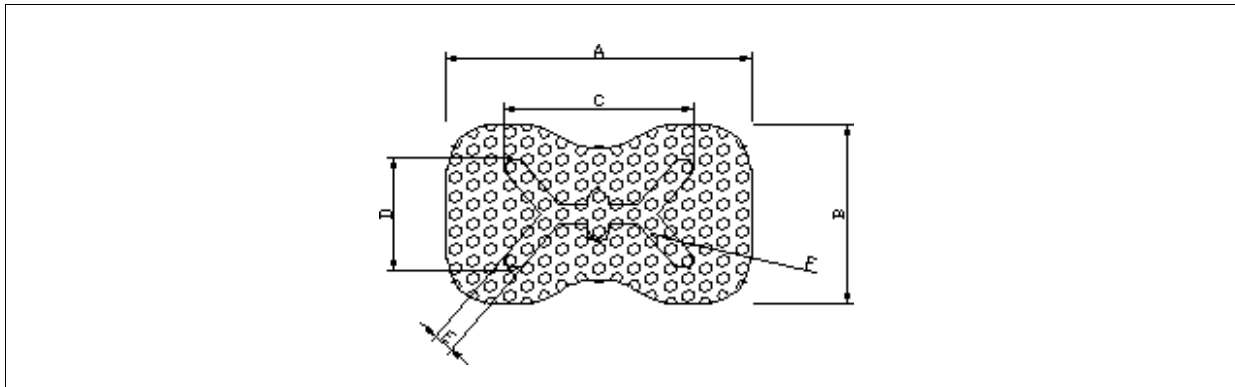
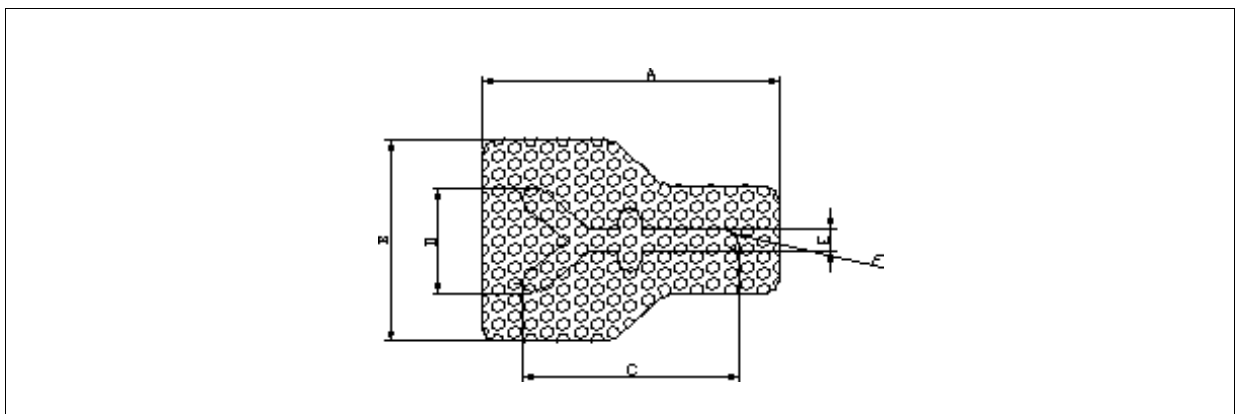


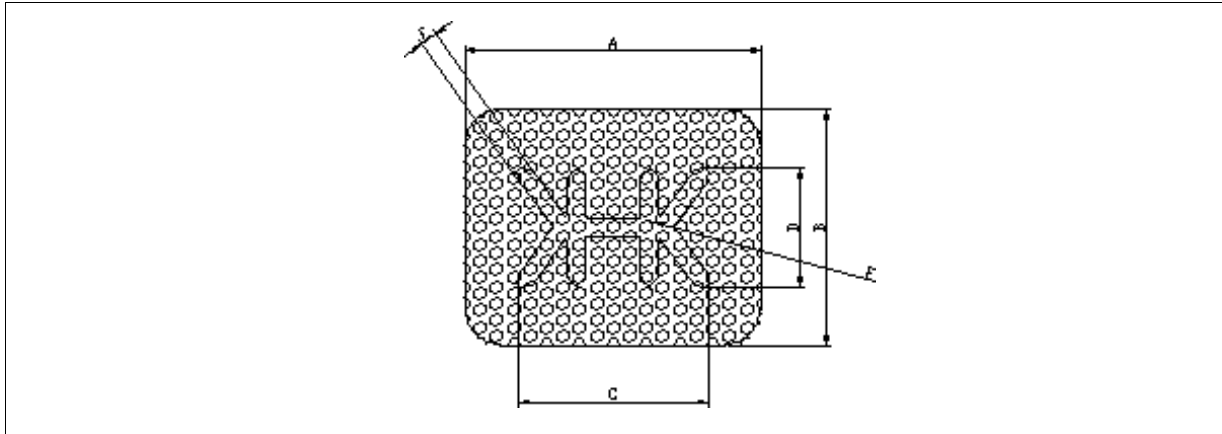
No	Model	A(mm)	B(mm)	C(mm)	D(mm)	E(Thickness)
1	PM1224A	24.0	12.0	11.0	2.5	0.25



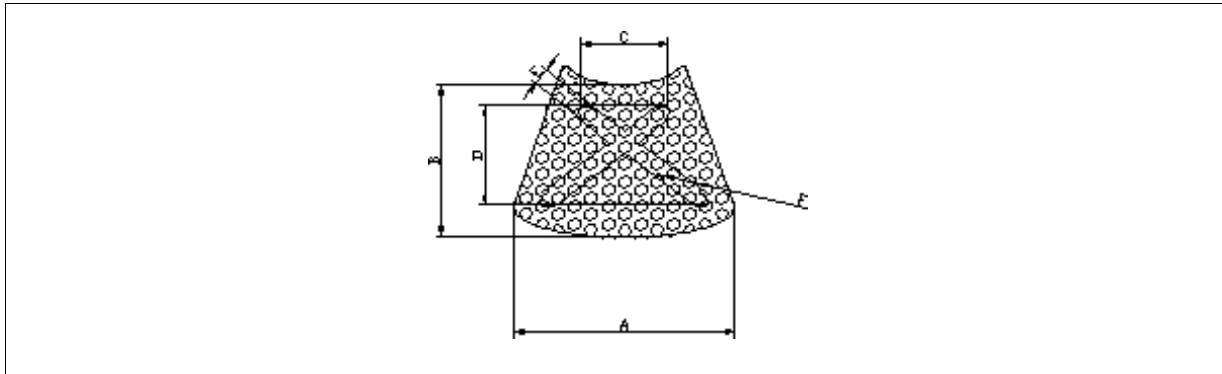
No	Model	A(mm)	B(mm)	C(mm)	D(mm)	E(mm)	F(Thickness)
2	PM1424A	24.0	14.0	14.84	8.89	1.59	0.25



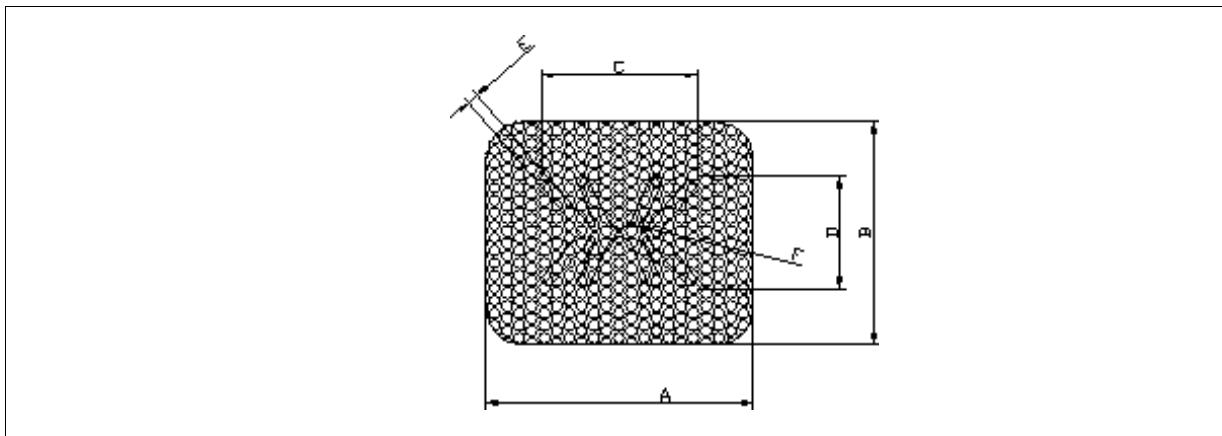
No	Model	A(mm)	B(mm)	C(mm)	D(mm)	E(mm)	F(Thickness)
3	PM1725A	25.0	17.0	18.36	8.83	2.0	0.25



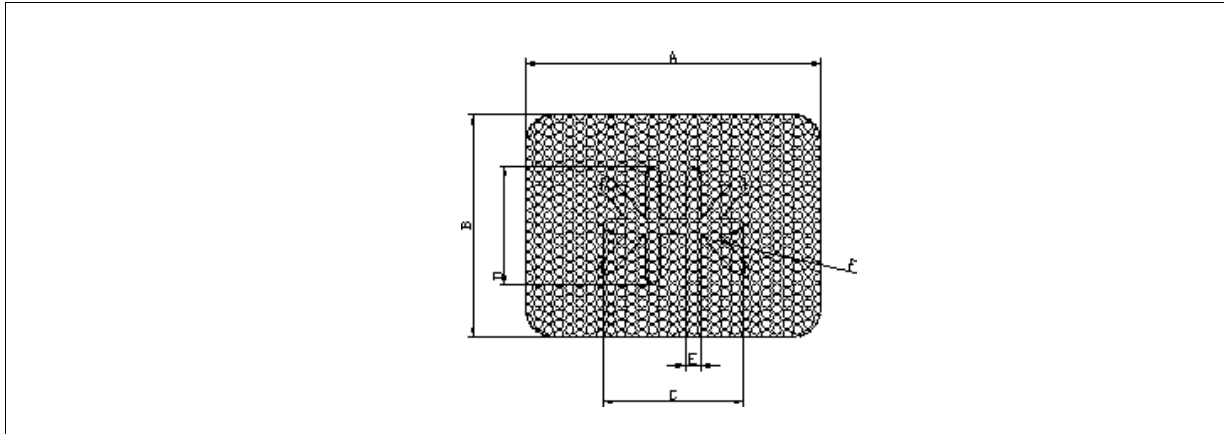
No	Model	A(mm)	B(mm)	C(mm)	D(mm)	E(mm)	F(Thickness)
4	PM2025A	20.0	25.0	15.99	10.0	1.5	0.25



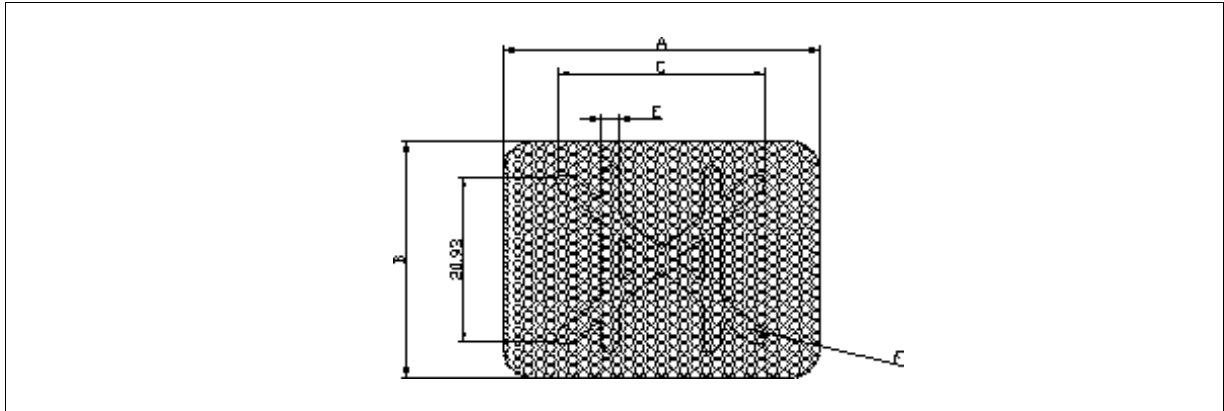
No	Model	A(mm)	B(mm)	C(mm)	D(mm)	E(mm)	F(Thickness)
5	PM1319A	19.0	13.0	7.49	8.44	1.5	0.25
6	PM1318A	18.0	13.0	7.91	7.66	1.5	0.25



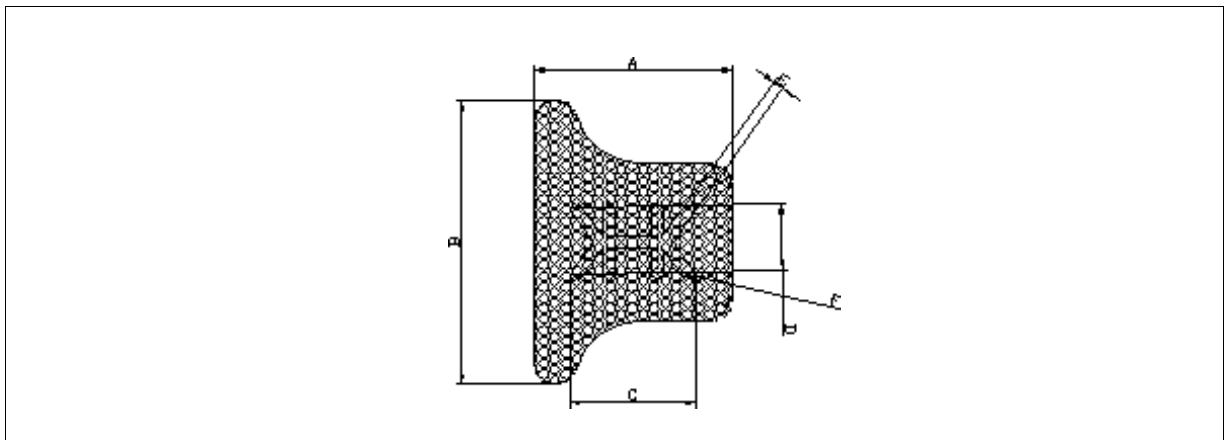
No	Model	A(mm)	B(mm)	C(mm)	D(mm)	E(mm)	F(Thickness)
7	PM2530A	30.0	25.0	17.57	12.65	1.3	0.25



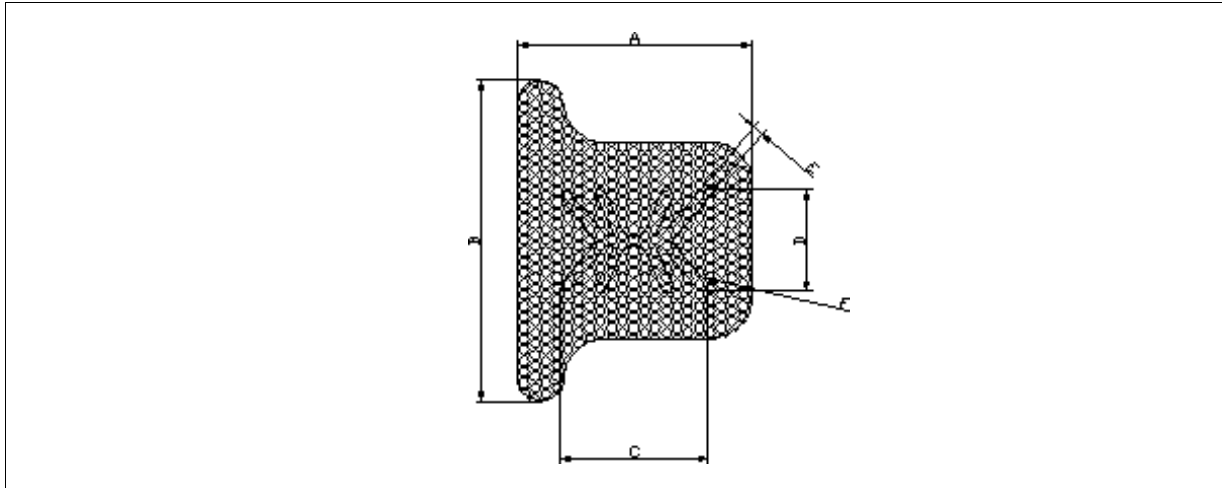
No	Model	A(mm)	B(mm)	C(mm)	D(mm)	E(mm)	F(Thickness)
8	PM3040S2	30.0	40.0	22.0	18.0	2.0	0.25
9	PM3040SA	30.0	40.0	19.0	16.0	2.0	0.25



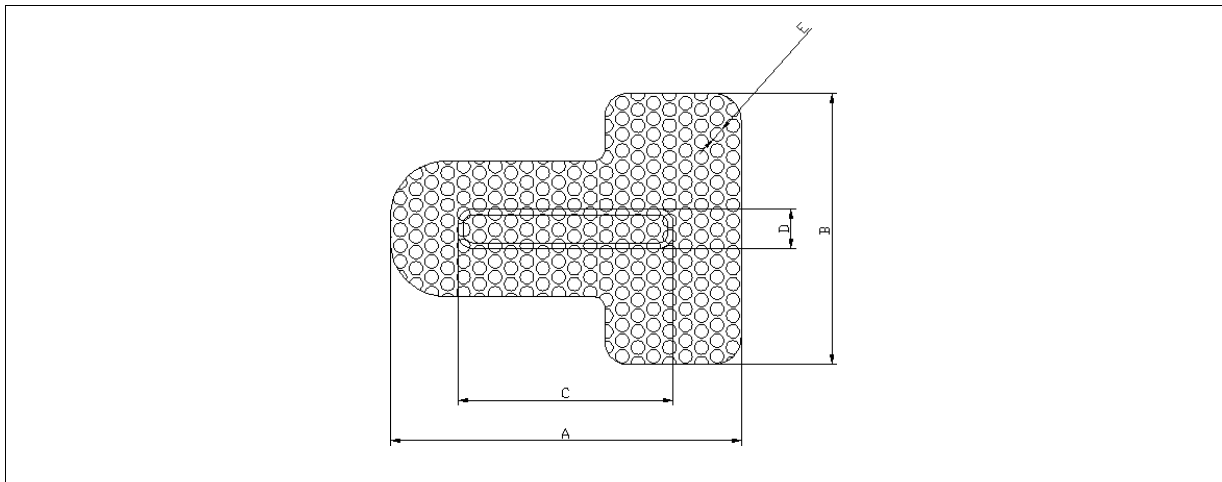
No	Model	A(mm)	B(mm)	C(mm)	D(mm)	E(mm)	F(Thickness)
10	PM3040A	40.0	30.0	26	20.93	2.22	0.25



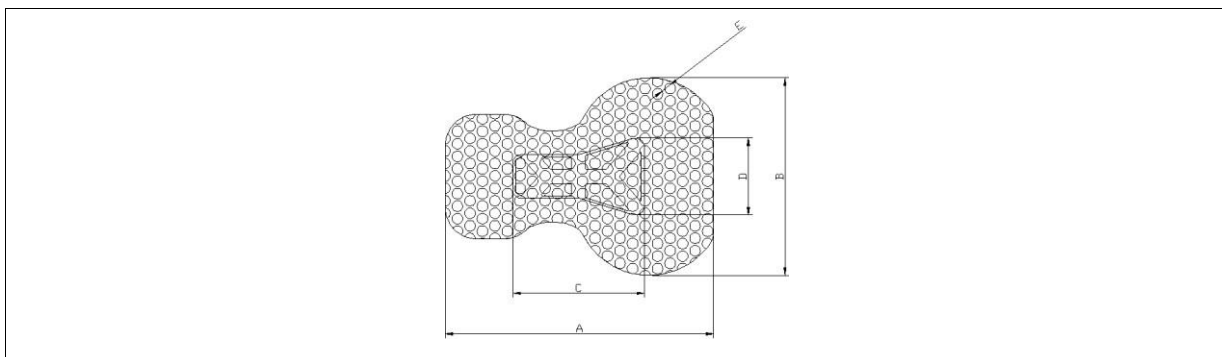
No	Model	A(mm)	B(mm)	C(mm)	D(mm)	E(mm)	F(mm)
11	PM2536A	25.0	36.0	15.99	10.13	1.5	0.25



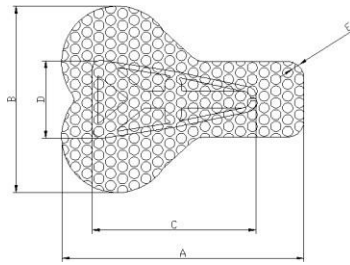
No	Model	A(mm)	B(mm)	C(mm)	D(mm)	E(mm)	F(mm)
12	PM3041A	30.0	41.0	18.97	12.92	1.4	0.25



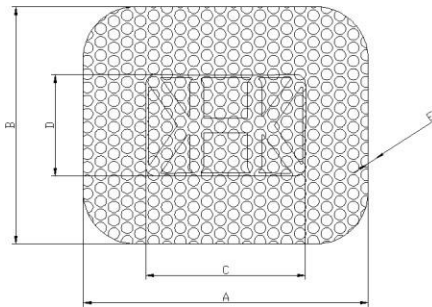
No	Model	A(mm)	B(mm)	C(mm)	D(mm)	E(Thickness)
13	PMB2431	31.0	24.0	19.0	3.5	0.25



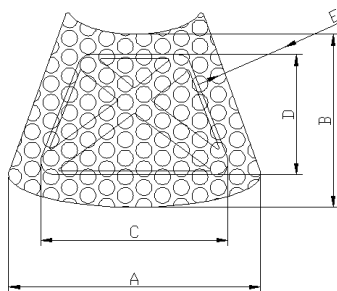
No	Model	A(mm)	B(mm)	C(mm)	D(mm)	E(Thickness)
14	PMB2030	30.0	20.0	14.7	8.6	0.25



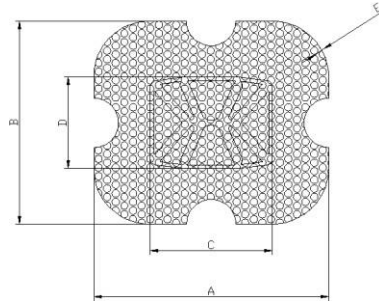
No	Model	A(mm)	B(mm)	C(mm)	D(mm)	E(Thickness)
15	PMB2228	28.0	22.0	19.3	9.2	0.25



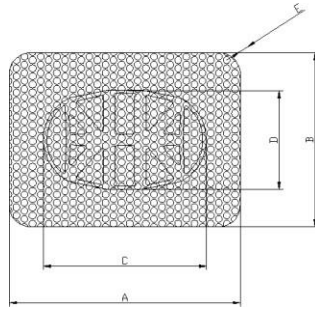
No	Model	A(mm)	B(mm)	C(mm)	D(mm)	E(Thickness)
16	PMB2530S	30.0	25.0	16.8	10.6	0.25



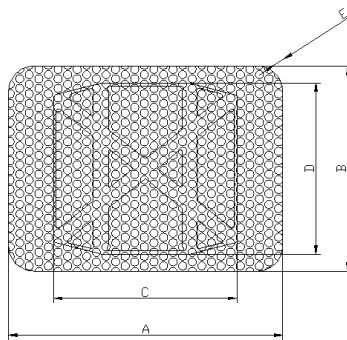
No	Model	A(mm)	B(mm)	C(mm)	D(mm)	E(Thickness)
17	PMB1319	19.0	13.0	14.0	9.0	0.25
18	PMB1318	18.0	13.0	13.4	8.5	0.25



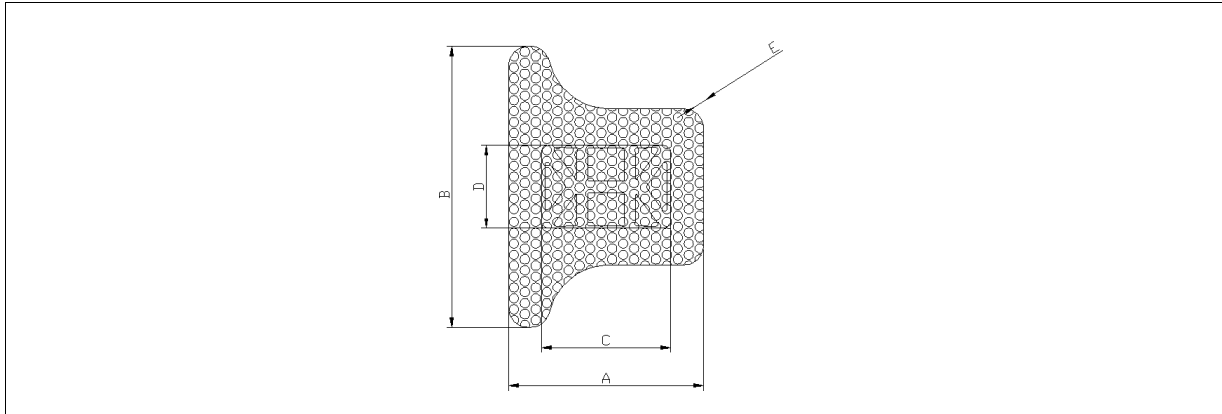
No	Model	A(mm)	B(mm)	C(mm)	D(mm)	E(Thickness)
19	PMB3338	38.0	33.0	19.8	14.85	0.25



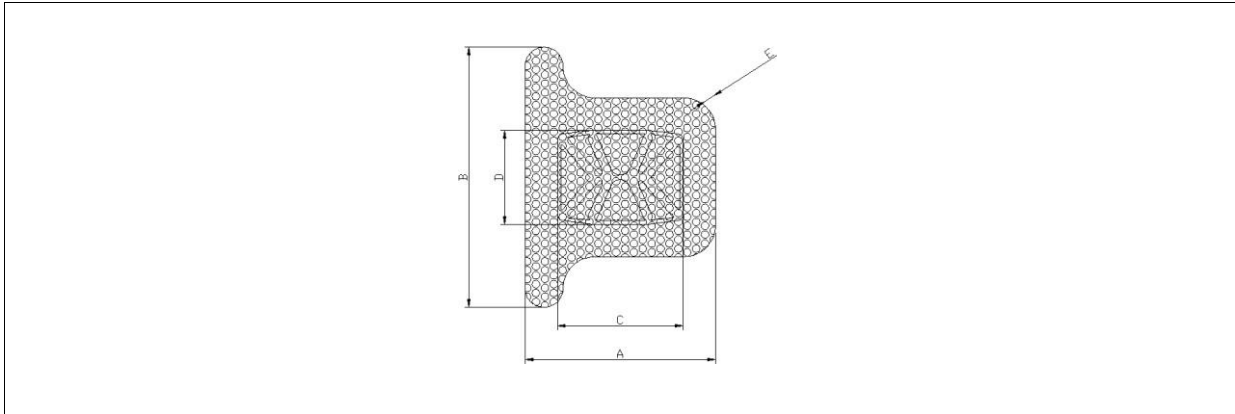
No	Model	A(mm)	B(mm)	C(mm)	D(mm)	E(Thickness)
20	PMB3040S	40.0	30.0	28.2	17.1	0.25



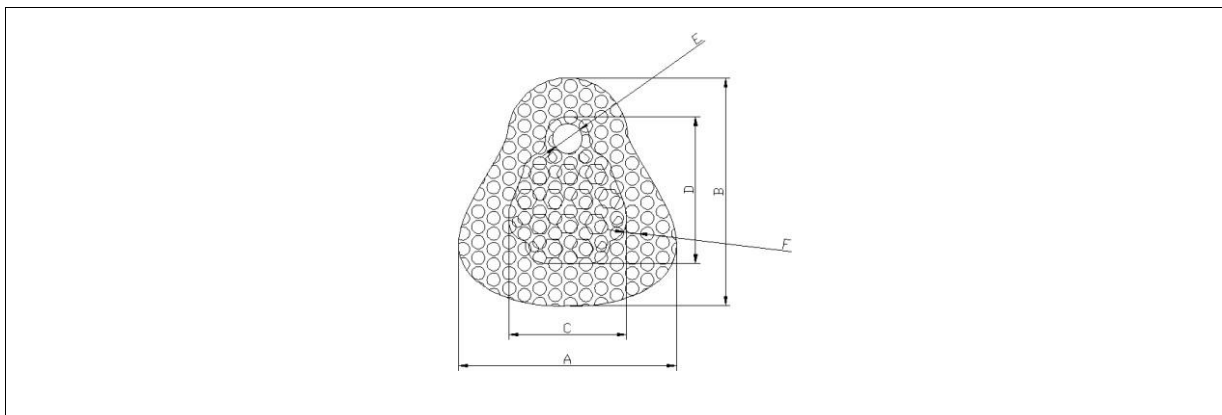
No	Model	A(mm)	B(mm)	C(mm)	D(mm)	E(Thickness)
21	PMB3040	40.0	30.0	26.8	25.03	0.25



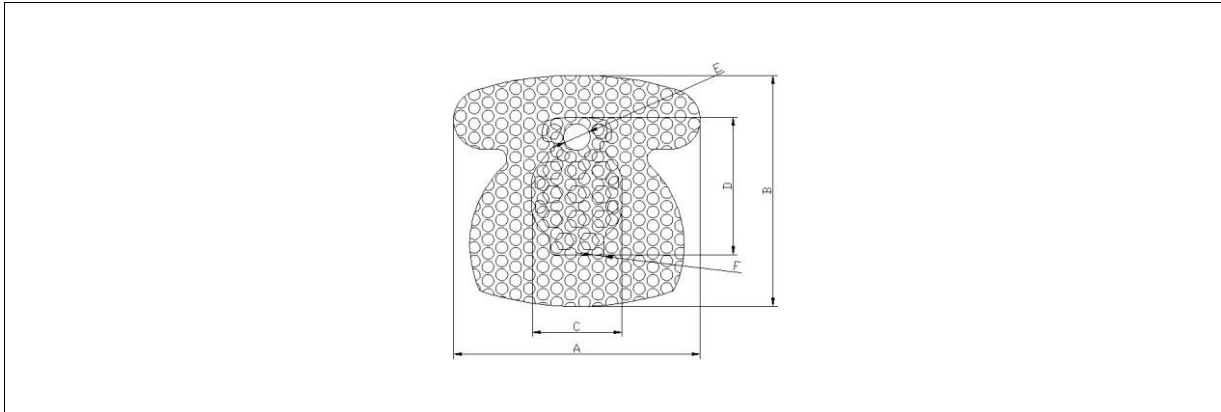
No	Model	A(mm)	B(mm)	C(mm)	D(mm)	E(Thickness)
22	PMB2536	25.0	36.0	16.59	10.6	0.25



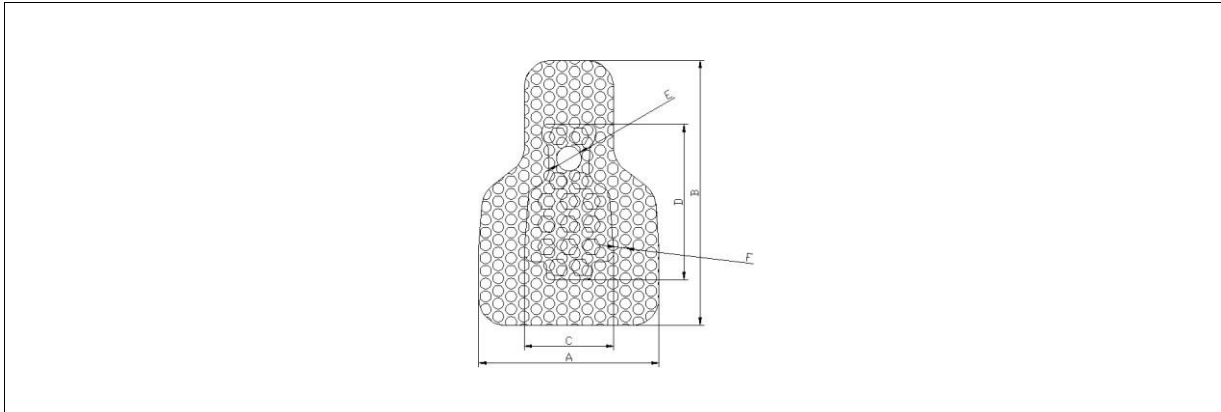
No	Model	A(mm)	B(mm)	C(mm)	D(mm)	E(Thickness)
23	PMB3041	30.0	41.0	19.8	14.85	0.25



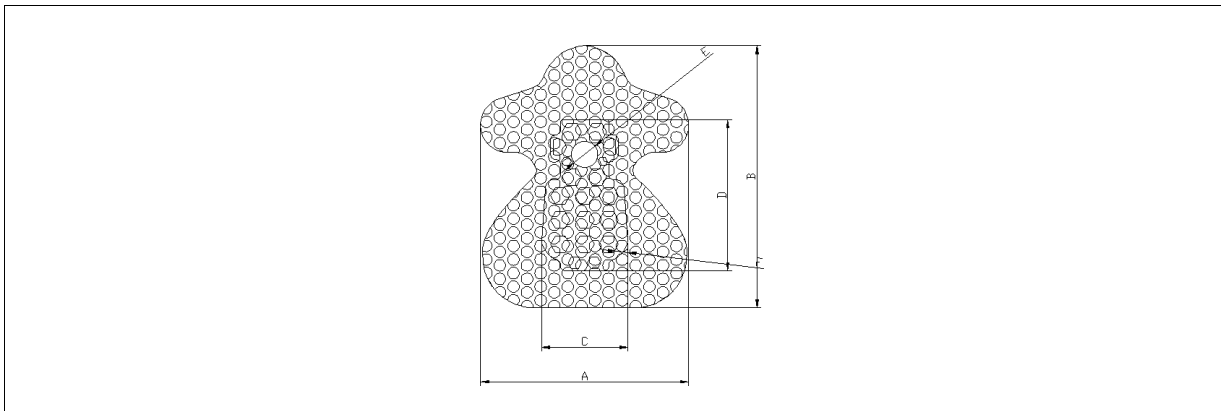
No	Model	A(mm)	B(mm)	C(mm)	D(mm)	E(Ø)	F(Thickness)
24	PMB2021	19.8	20.71	10.7	13.35	2.7	0.25



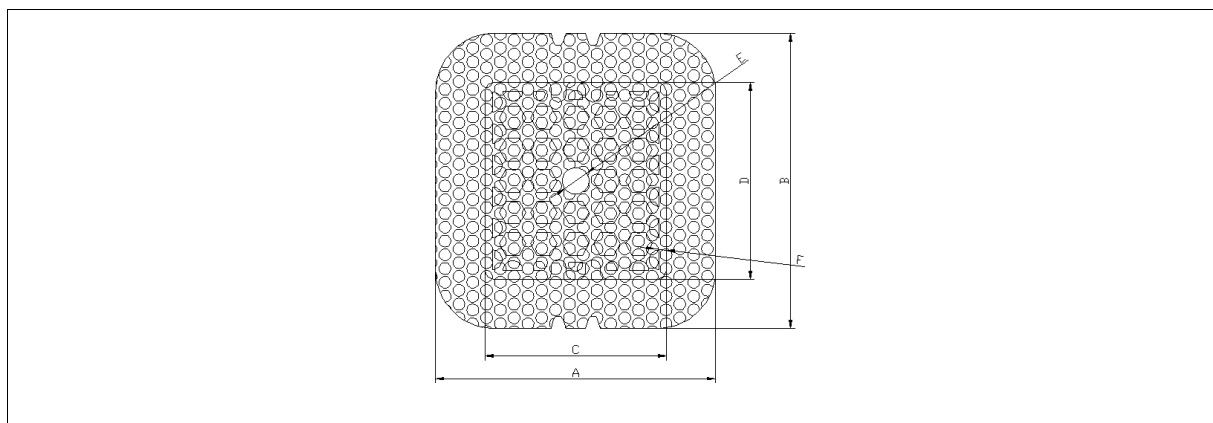
No	Model	A(mm)	B(mm)	C(mm)	D(mm)	E(Ø)	F(Thickness)
25	PMB2325	25.16	23.56	9.15	14.02	2.7	0.25



No	Model	A(mm)	B(mm)	C(mm)	D(mm)	E(Ø)	F(Thickness)
26	PMB2029	19.82	29	9.85	17	2.7	0.25



No	Model	A(mm)	B(mm)	C(mm)	D(mm)	E(Ø)	F(Thickness)
27	PMB2127	21.44	15.59	8.91	15.59	2.7	0.25



No	Model	A(mm)	B(mm)	C(mm)	D(mm)	E(Ø)	F(Thickness)
28	PMB2830	28.4	30	18.4	20	2.7	0.25
29	PMB2025	24.9	20	14.9	10	2.7	0.25
30	PMB2028	28.4	20	18.4	10	2.7	0.25
31	PMB2530	24.9	30	14.9	20	2.7	0.25

г. Санкт-Петербург,
наб. Обводного канала д. 14, к. 4

тел. офиса:

8 (800) 777-94-56

8 (812) 765-05-20

8 (911) 721-86-04

zakaz@akvastom-group.ru

<https://akvastom-group.ru/>

**AKBA
СТОМ**
ГРУП
ТОВАРЫ СТОМАТОЛОГАМ